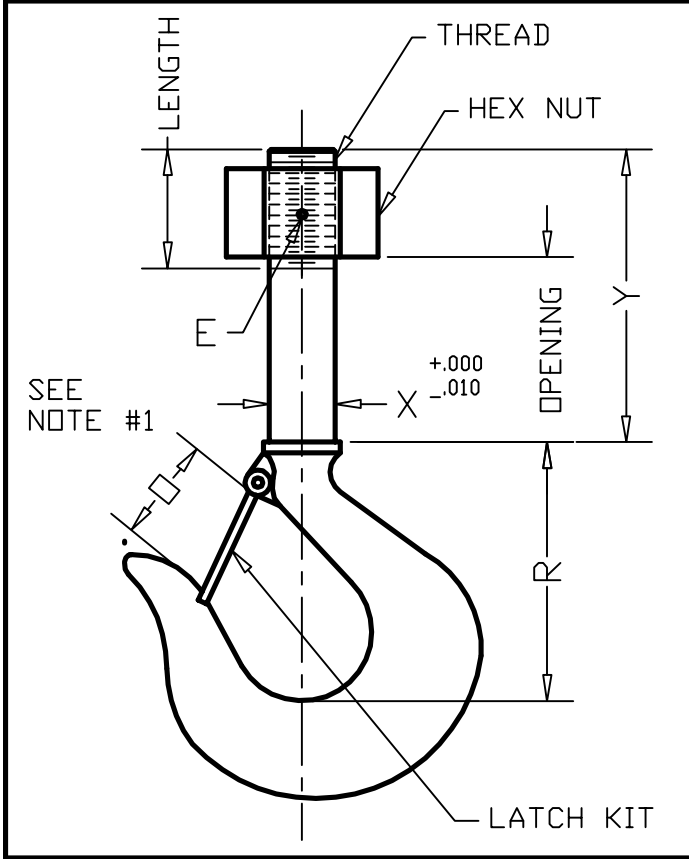


STANDARD ELECTRO LIFT HOOKS AVAILABLE (REF ONLY)										NOTES: 1. "O" = ENGAGEMENT OPENING 2. SHANK DIA. MAY NOT BE MACHINED ROUND (CLEAN UP) FOR DIA. LARGER THAN 1.03"	ISSUE 1 8/30/00
CAPACITY/ SAFE WORKING LOAD	E/L PART#	LATCH KIT	"R"	"Y" MAX.	"O"	"E" ROLL PIN	STD THREAD	"X" MAX.	MAXIMUM OPENING		ISSUE 2 ADDED THREAD LENGTH 11/8/04
3/4 TON CARBON STEEL	DM7372	DM7076	2.35	2.06	.93	1/8x1	1/2-13 UNC-2A	.53	1.431		ISSUE 3 ADDED LATCH KIT 11/28/05
1-1/2 TON CARBON STEEL	DM7043	DM7078	2.76	2.59	1.06	3/16x1	5/8-11 UNC-2A	.66	1.834		
2 TON CARBON STEEL	DM7044	DM7080	3.16	2.84	1.16	3/16x1 1/4	3/4-10 UNC-2A	.81	1.957		
5 TON ALLOY STEEL	DM7306	DM7307	3.85	3.34	1.41	3/16x1 3/4	1 1/8-7 UNC-2A	1.125 <small>SEE NOTE #2</small>	2.067		
7-1/2 TON CARBON STEEL	DM7233	DM7237	5.88	4.38	2.22	1/4x3	1 1/2-6 UNC-2A	1.52	2.750		
11 TON ALLOY STEEL	DM7354	DM7237	5.88	4.38	2.22	1/4x3	1 1/2-6 UNC-2A	1.52	2.750		
15 TON CARBON STEEL	DM7355	DM7356	8.14	5.50	3.19	1/4x3 1/2	2-4 1/2 UNC-2A	2.00	3.362		



INFORMATION REQ'D FROM CUSTOMER:

CAPACITY:

E/L PART#:

Y:

THREAD:

LENGTH:

X:

OPENING:

QTY:

SUPPLY NUT & PIN?

PARTS ORDER #

TOLERANCES		HOOK, SPECIAL		
UNLESS SPECIFIED		DRAWN BY	DATE	MAT'L
FRACTIONAL = ± 1/64		DE	8/30/00	AS SPECIFIED
X.XX = ±.01		ELECTRO LIFT INC.		SCALE
X.XXX = ±.005		204 SARGEANT AVE		-----
X.XXXX = ±.0005		CLIFTON N.J.		K-10984