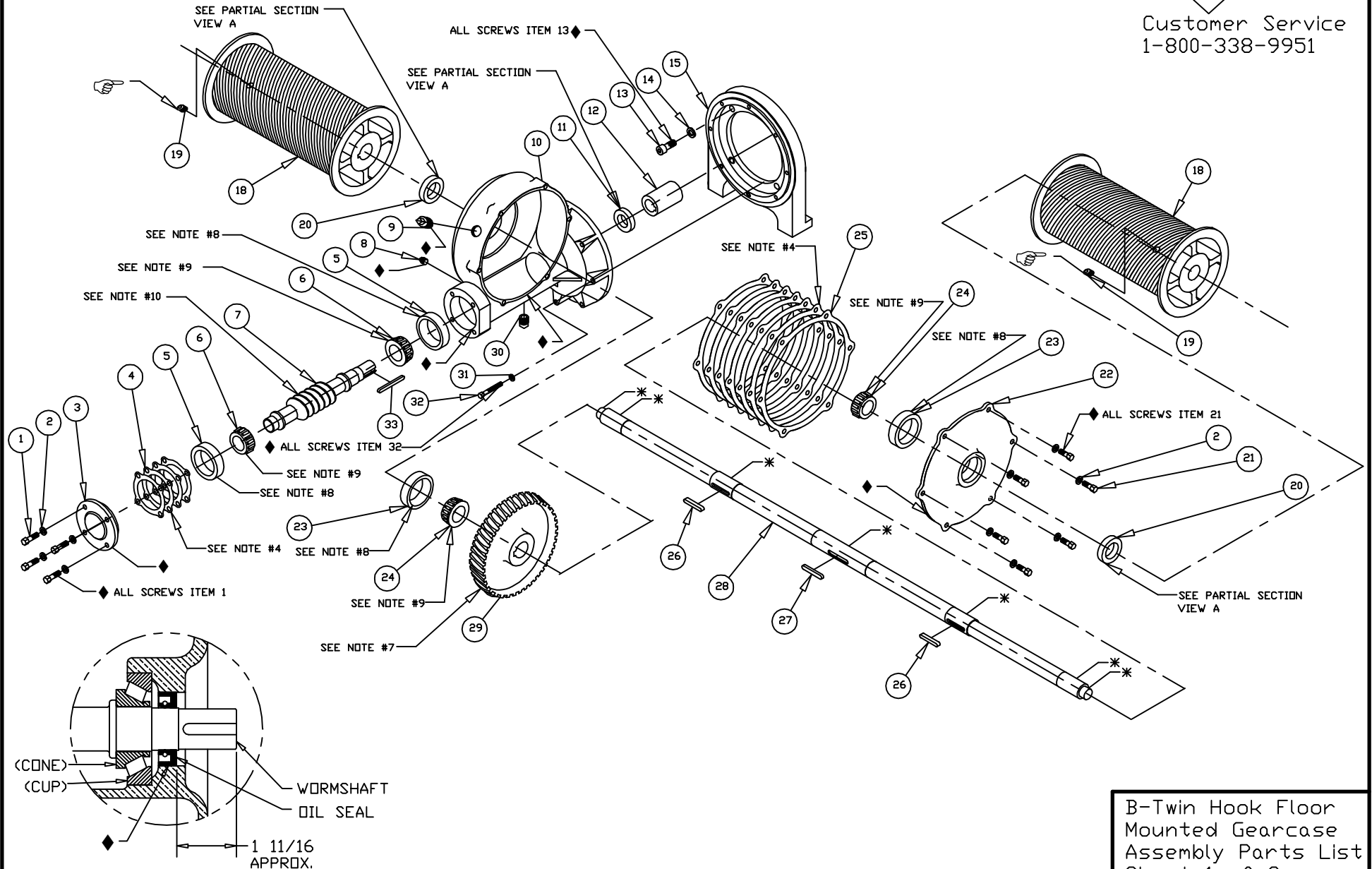


Customer Service
1-800-338-9951



PARTIAL SECTION VIEW A

B-Twin Hook Floor Mounted Gearcase Assembly Parts List Sheet 1 of 2

33	K10849P3	1	KEY, 5/16x5/16, 2-15/16
32	FS127	7	SCREW,HHCS,5/16-18x2-1/4, GR2,PLAIN ☒SEE NOTE A
31	FS312	7	WASHER,L,5/16, PLAIN ☒SEE NOTE A
30	FS333	1	PIPEPLUG,1/2 SQHD CORED,CI PLAIN ☒SEE NOTE A
29	----	1	WORM WHEEL, JOB SPECIFIC, SEE NOTE #5
28	----	1	DRUM SHAFT, JOB SPECIFIC
27	K10924P1	1	KEY, 3/8x3/8, 1-7/8, B, WORM WHEEL
26	K10849P5	2	KEY, 5/16x5/16, 2, A:B DRUM SHAFT
25	K10755	1	KIT, SHIM, B-HOIST, SIDE COVER
24	DM7003	2	BEARING, TRB, CONE, 1.50 ID ☒SEE NOTE B
23	DM7004	2	BEARING, TRB, CUP 3.00 OD ☒SEE NOTE B
22	M369P2	1	COVER, SIDE, GEAR CASE, B-TH-FLR:OVR
21	FS129	6	SCREW,HHCS,3/8-16x1, GR2,PLAIN ☒SEE NOTE A
20	DM7028	2	SEAL, SHAFT, 1.5 ID, 2.37 OD ☒SEE NOTE C
19	FS445	2	SOCKET HEAD SET SCREW, 3/8-16x1/2, KNURLED
18	----	2	DRUM, JOB SPECIFIC
17	N/A	-	-
16	N/A	-	-
15	M2959E	1	ADAPTER, MOTOR, T477, C FACE, FLR & BASE MTD
14	FS320	4	WASHER,INT.TOOTH,1/2,PLATED ☒SEE NOTE A
13	FS207	4	SCREW,SHCS,1/2-13x1-1/4 ☒SEE NOTE A
12	K122P2	1	SLEEVE, MOTOR SHAFT, B HOIST
11	DM7030	1	SEAL, SHAFT, 1.18 ID, 2.06 OD ☒SEE NOTE C
10	T477TH	1	GEAR CASE, B HOIST
9	FS337	1	PIPEPLUG,1/2 SQHD CORED,W/STRAIGHT VENT ☒SEE NOTE A
8	FS336	1	PIPEPLUG,1/8 SQHD,CAST IRON, SOLID ☒SEE NOTE A
7	----	1	WORM SHAFT, SEE NOTE #5
6	DM7006	2	BEARING, TRB, CUP, 3.125 OD ☒SEE NOTE B
5	DM7005	2	BEARING, TRB, CONE, 1.25 ID ☒SEE NOTE B
4	K10756	1	KIT, SHIM, B-HOIST, END COVER
3	K123	1	COVER, END, GEAR CASE, B
2	FS315	10	WASHER,L,3/8, PLAIN ☒SEE NOTE A
1	FS130	4	SCREW,HHCS,3/8-16x1-1/4, GR2,PLAIN ☒SEE NOTE A
ITEM #	PART #	QTY	DESCRIPTION

BILL OF MATERIALS

NOTES:

- 1) * - APPLY ANTISEIZE COMPOUND
- 2) ♦ - APPLY PERMATEX ULTRACOPPER SEALANT ELECTROLIFT P/N DM7394

- 3) ☞ - APPLY BLUE TYPE THREADLOCK COMPOUND, TORQUE TO 24 FT-LBS

- 4) USE THE SAME AMOUNT AND COLOR OF SHIMS AS ORIGINAL SET.

5) IDENTIFICATION CHART

NO OF TEETH	WORM WHEEL P/N	WORM SHAFT P/N
36	M321A	M320
41	M2852A	M2851
67	M2854A	M2853

- 6) OIL CAPACITY 18 OZ.

EXXON CYLESSTIC TK680 OR EQUIV. E/L P/N DM7146
OR MOBIL SHC 634 OR EQUIV. (SYNTHETIC) E/L P/N DM7381

- 7) PRESS ITEM 25 ONTO ITEM 28 CENTRALLY LOCATED ON ITEM 26

- 8) PRESS ITEM INTO MATING HOUSING OR COVER

- 9) TO BE PRESSED ON MATING SHAFT

- 10) TAP WITH MALLET AFTER PRESSING ITEM 5

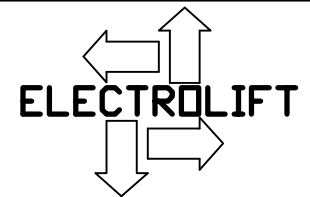
☒ KIT NOTES:

A) THIS PART CAN ONLY BE ORDERED AS PART OF GEARCASE HARDWARE KIT #K11236.

B) THIS PART CAN ONLY BE ORDERED AS PART OF GEARCASE BEARING KIT #K11155.

C) THIS PART CAN ONLY BE ORDERED AS PART OF SEAL KIT #K11157.

D) FOR BOTH SEALS & SHIMS, ORDER SEAL & SHIM KIT #K11281.



Customer Service
1-800-338-9951

B-Twin Hook Floor Mounted Gearcase Assembly Parts List Sheet 1 of 2