

CAPACITY 10,000 LBS.

INFORMATION REQUIRED
SEE SHEET 2 FOR SPECIFICATIONS

TRACK SIZE:

FLANGE WIDTH:

FLANGE THICKNESS:

HARDENED WHEELS:

NO

YES

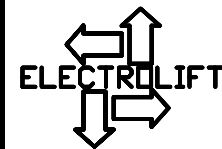
DIMENSION "A": _____

SPACER REQUIRED:

NO

YES

DIMENSION "B": _____



ELECTROLIFT, INC.
 204 SARGEANT AVE.
 CLIFTON, NJ 07013
 PH: 973-471-0204
 FAX: 973-471-2814
 www.electrolift.com

REV.	ECO#	DATE	BY:
IDLER TROLLEY PART NUMBER: M1171B			
DATE: 12/12/07	SCALE: NONE	DWG SIZE: A	DRAWN BY: DR

DRAWING NO:
M1171B-WPDF
SHEET 1 OF 2

**CAPACITY
10,000 LBS.**

SPECIFICATIONS

PROVIDE SHEET 1 TO ELECTROLIFT

GENERAL NOTES:

1. CAPACITY OF TROLLEY IS NOT TO BE EXCEEDED
2. FACTOR OF SAFETY 5 TO 1 MINIMUM
3. VISTA GREEN ENAMAL PAINT STANDARD
4. NOT DESIGNED FOR TRAVERSING TRACKS WITH A RADIUS.
5. CONSULT ELECTROLIFT'S SALES DEPARTMENT FOR ADDITIONAL FEATURES

WHEEL ASSEMBLY

STANDARD HARDNESS:
BRINELL 143/ROCKWELL B78
OPTIONAL HARDENED WHEEL:
BRINELL 475/ROCKWELL C50
BEARING L10HR LIFE:
34,526 HRS AT 50 FPM

TRACK TYPE

S-BEAM TRACK: CURVED PROFILE AS SHOWN
W-BEAM TRACK: FLAT PROFILE PROVIDED
PATENTED TRACK: SEE TROLLEY M1171C

SPACER LENGTH

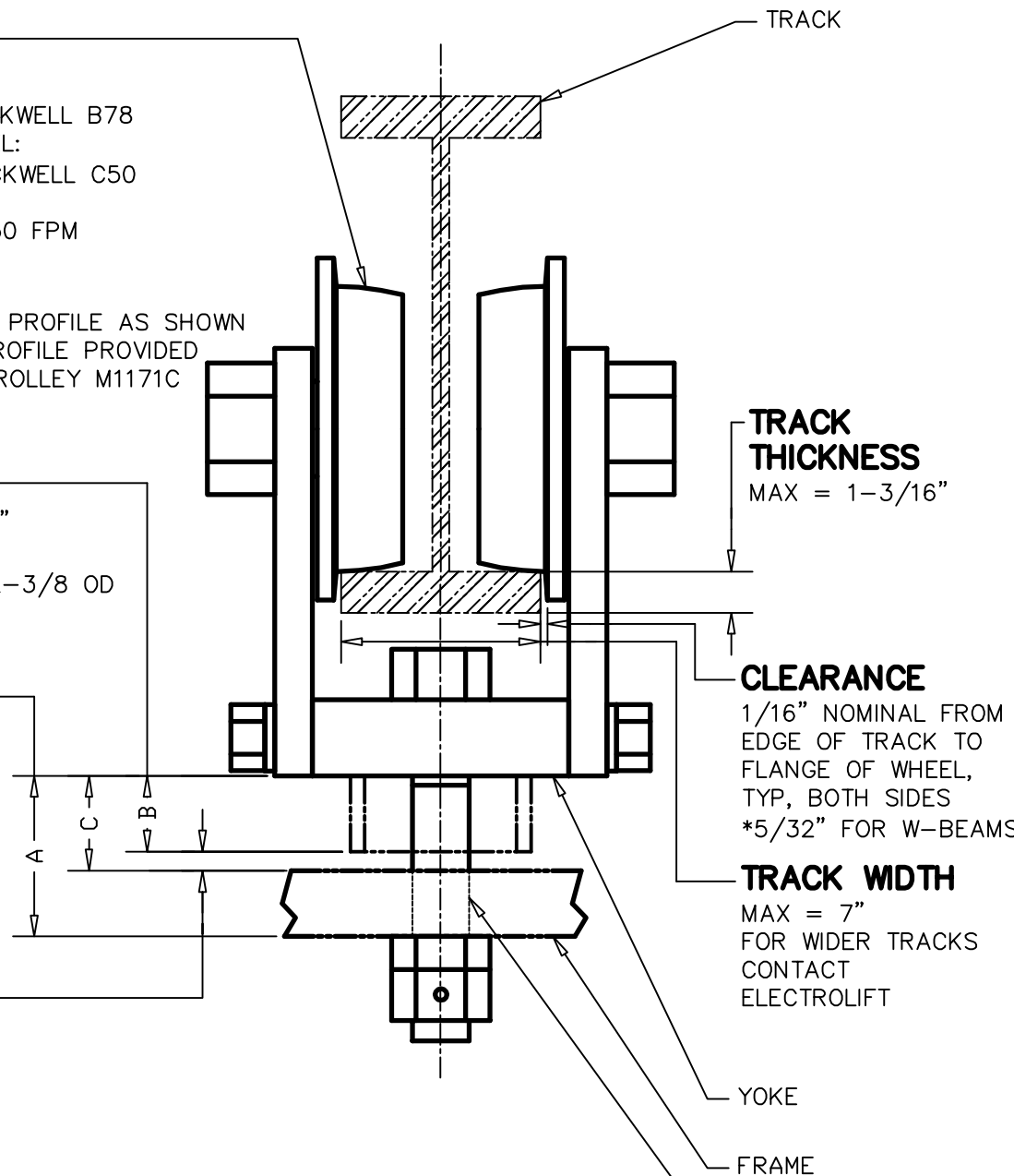
REQUIRED IF DIMENSION "C"
EXCEEDS 1/2"
MATERIAL = TUBING, 2 IDx2-3/8 OD

BOLT SPAN

3 1/4" MAX
FOR LARGER
DIMENSIONS,
CONTACT
ELECTROLIFT

GAP

1/8" MIN. GAP REQUIRED
FROM BOTTOM OF YOKE
OR SPACER TO BOTTOM
OF FRAME



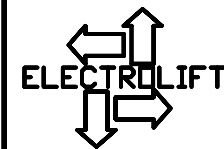
REPRESENTATIVE DRAWING
NOT TO SCALE

TRACK THICKNESS
MAX = 1-3/16"

CLEARANCE
1/16" NOMINAL FROM
EDGE OF TRACK TO
FLANGE OF WHEEL,
TYP, BOTH SIDES
*5/32" FOR W-BEAMS

TRACK WIDTH
MAX = 7"
FOR WIDER TRACKS
CONTACT
ELECTROLIFT

CLEARANCE HOLE
1 13/16" DIA.
HOLE IN FRAME



ELECTROLIFT, INC.
204 SARGEANT AVE.
CLIFTON, NJ 07013
PH: 973-471-0204
FAX: 973-471-2814
www.electrolift.com

REV.	ECO#	DATE	BY:
IDLER TROLLEY PART NUMBER: M1171B			
DATE: 12/12/07	SCALE: NONE	DWG SIZE: A	DRAWN BY: DR
DRAWING NO: M1171B-WPDF			
SHEET 2 OF 2			