

- SPACER (IF REQUIRED)
- HEAVY HEX JAM NUT, 1 3/4-5
- HEAVY HEX NUT, 1 3/4-5
- COTTER PIN, 1/4x4

# CAPACITY 10,000 LBS.

INFORMATION REQUIRED  
SEE SHEET 2 FOR SPECIFICATIONS

TRACK SIZE: \_\_\_\_\_

FLANGE WIDTH: \_\_\_\_\_

FLANGE THICKNESS: \_\_\_\_\_

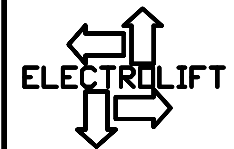
DIMENSION "A": \_\_\_\_\_

SPACER REQUIRED:

NO

YES

DIMENSION "B": \_\_\_\_\_



ELECTROLIFT, INC.  
204 SARGEANT AVE.  
CLIFTON, NJ 07013  
PH: 973-471-0204  
FAX: 973-471-2814  
www.electrolift.com

|                                   |             |             |              |
|-----------------------------------|-------------|-------------|--------------|
| REV.                              | ECO#        | DATE        | BY:          |
| IDLER TROLLEY PART NUMBER: M1171C |             |             |              |
| DATE: 12/12/07                    | SCALE: NONE | DWG SIZE: A | DRAWN BY: DR |

DRAWING NO:  
**M1171C-WPDF**  
SHEET 1 OF 2

**CAPACITY  
10,000 LBS.**

**SPECIFICATIONS**

PROVIDE SHEET 1 TO ELECTROLIFT

**GENERAL NOTES:**

1. CAPACITY OF TROLLEY IS NOT TO BE EXCEEDED
2. FACTOR OF SAFETY 5 TO 1 MINIMUM
3. VISTA GREEN ENAMAL PAINT STANDARD
4. NOT DESIGNED FOR TRAVERSING TRACKS WITH A RADIUS.
5. CONSULT ELECTROLIFT'S SALES DEPARTMENT FOR ADDITIONAL FEATURES

**WHEEL ASSEMBLY**

STANDARD HARDENED WHEEL:  
BRINELL 475/ROCKWELL C50  
BEARING L10HR LIFE:  
108,633 HRS AT 50 FPM

**TRACK TYPE**

PATENTED TRACKS: FLAT PROFILE AS SHOWN  
S-BEAM TRACK: SEE TROLLEY M1171B  
W-BEAM TRACK: SEE TROLLEY M1171B

**SPACER LENGTH**

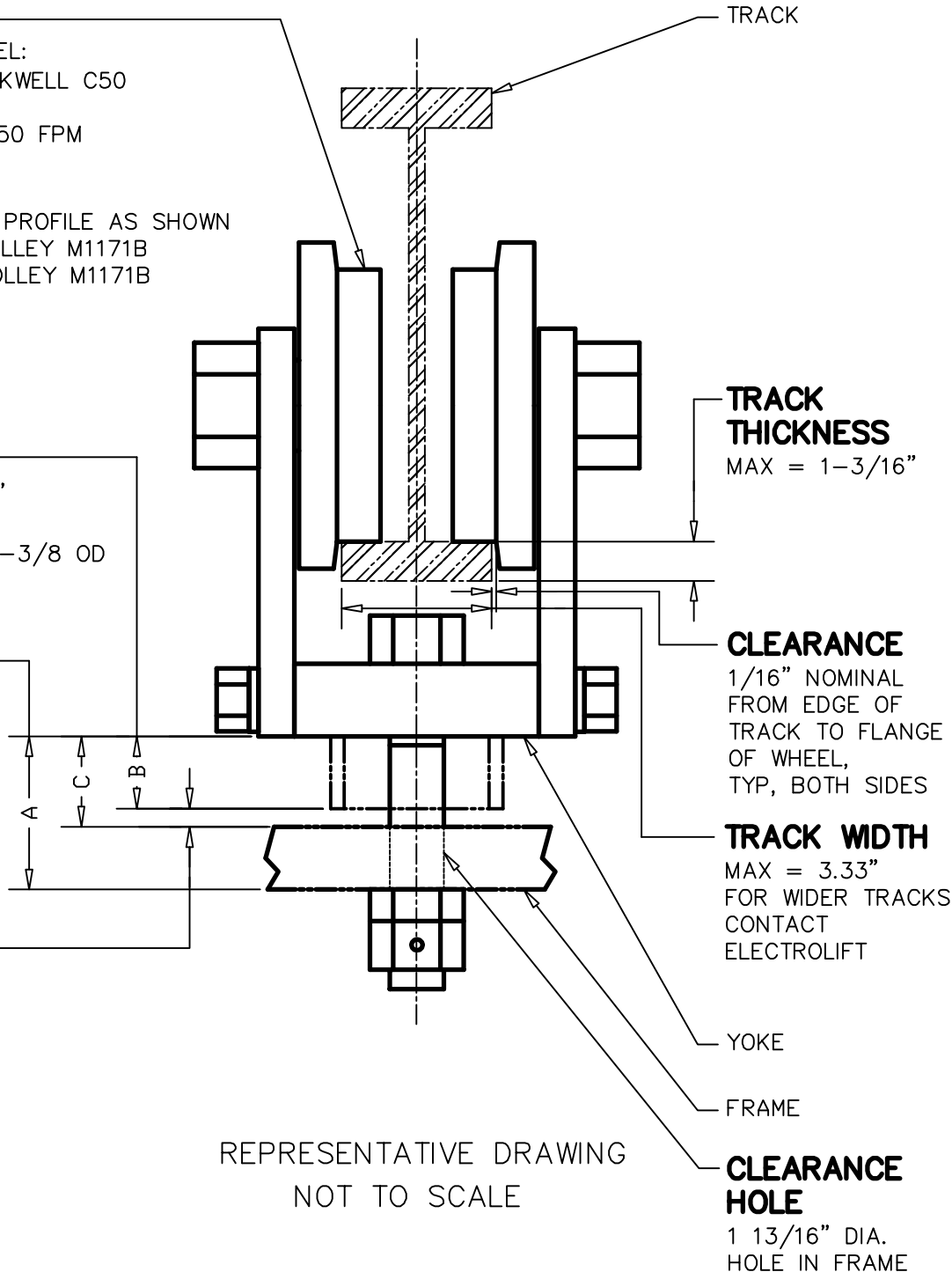
REQUIRED IF DIMENSION "C"  
EXCEEDS 1/2"  
MATERIAL = TUBING, 2 IDx2-3/8 OD

**BOLT SPAN**

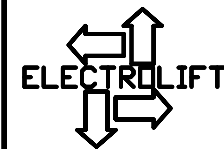
3 1/4" MAX  
FOR LARGER DIMENSIONS,  
CONTACT  
ELECTROLIFT

**GAP**

1/8" MIN. GAP REQUIRED  
FROM BOTTOM OF YOKE  
OR SPACER TO BOTTOM  
OF FRAME



REPRESENTATIVE DRAWING  
NOT TO SCALE



ELECTROLIFT, INC.  
204 SARGEANT AVE.  
CLIFTON, NJ 07013  
PH: 973-471-0204  
FAX: 973-471-2814  
www.electrolift.com

|                                   |             |             |              |
|-----------------------------------|-------------|-------------|--------------|
| REV.                              | ECO#        | DATE        | BY:          |
| IDLER TROLLEY PART NUMBER: M1171C |             |             |              |
| DATE: 12/12/07                    | SCALE: NONE | DWG SIZE: A | DRAWN BY: DR |
| DRAWING NO: M1171C-WPDF           |             |             |              |
| SHEET 2 OF 2                      |             |             |              |